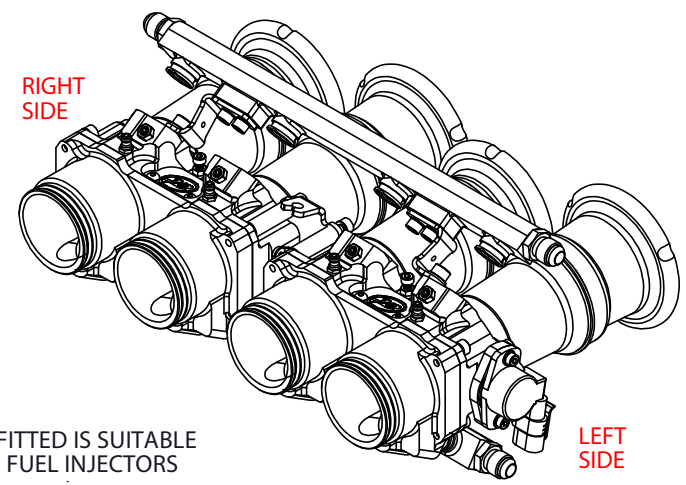
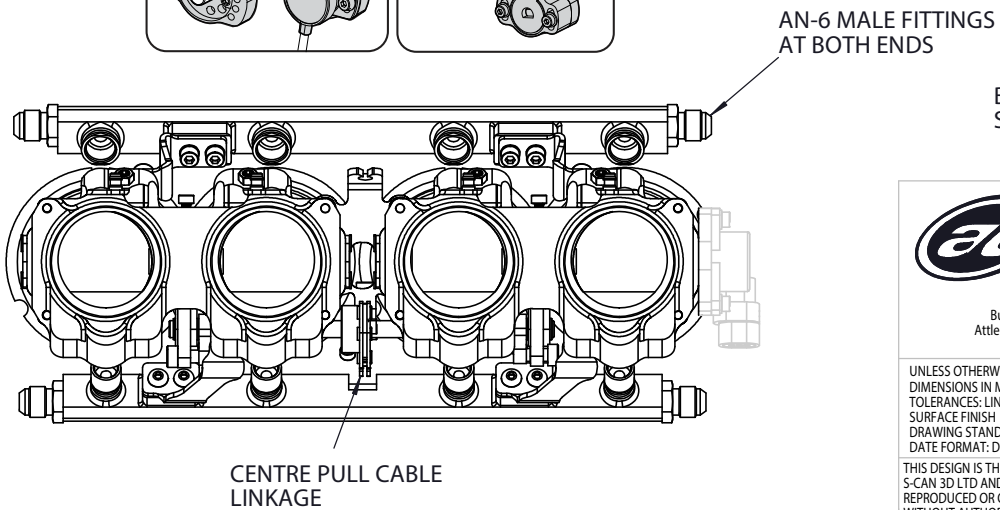
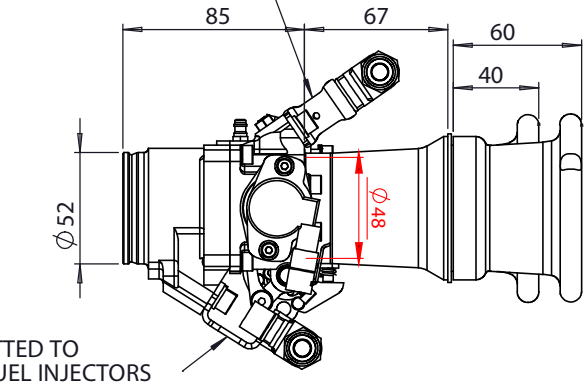
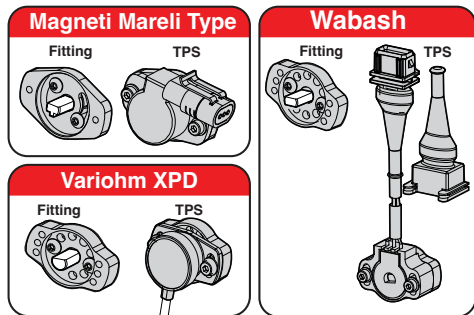


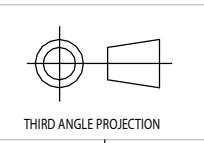
MEGAFLOW AIR FILTER SOLD SEPERATLY
 JC50/S65
 PART No. 102-108-00039



TPS OPTIONS AVAILABLE
 CAN BE FITTED BOTH ENDS



S-CAN 3D Ltd
 Bunn's Bank Ind Est
 Attleborough NR17 1QD



MATERIAL	SEE COMPONENT PARTS
FINISH	SEE COMPONENT PARTS
DRAWING TITLE	ASSY - SUZUKI HAYABUSA GEN-2 - 48MM 4 PICO + 4 OEM INJ - PRE-CONFIGURED - BIKE
DRAWING NUMBER	102-102-00676

UNLESS OTHERWISE STATED:
 DIMENSIONS IN MILLIMETRES
 TOLERANCES: LINEAR ±0.1 ANGULAR ±0.5°
 SURFACE FINISH $\sqrt{\text{V}}$
 DRAWING STANDARDS TO ATQS 6003
 DATE FORMAT: DD/MM/YY

THIS DESIGN IS THE PROPERTY OF
 S-CAN 3D LTD AND MUST NOT BE
 REPRODUCED OR COMMUNICATED
 WITHOUT AUTHORITY

CAD PLOT
 DO NOT
 SCALE

WEIGHT	3.165 kg
DRAWN-	S.HOW
DATE-	23/03/26
CHECKED-	S.HOW
APPROVED-	S.HOW