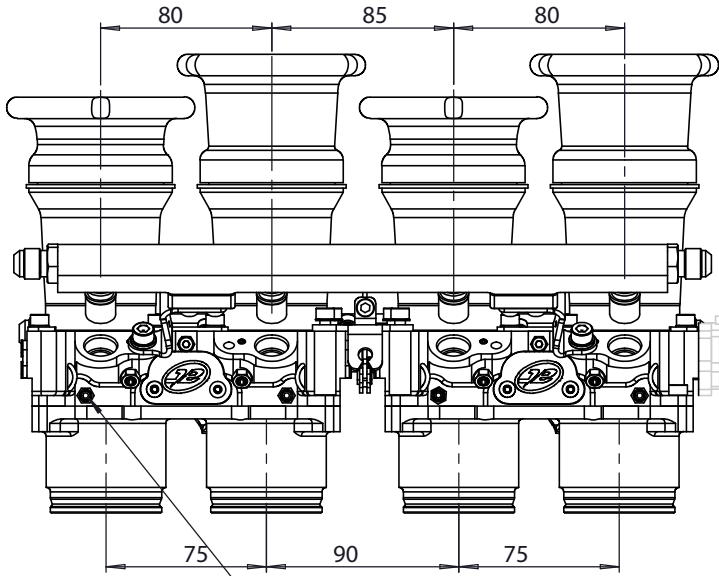


RIGHT SIDE

LEFT SIDE



4 X 6MM VACUUM TAKE OFF FITTINGS

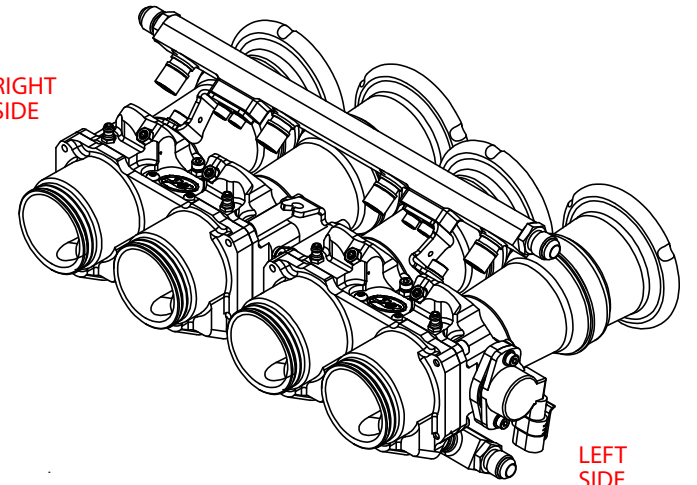
TPS OPTIONS AVAILABLE CAN BE FITTED BOTH ENDS

Magneti Marelli Type	
Fitting	TPS
Wabash	
Fitting	TPS
Variohm XPD	
Fitting	TPS

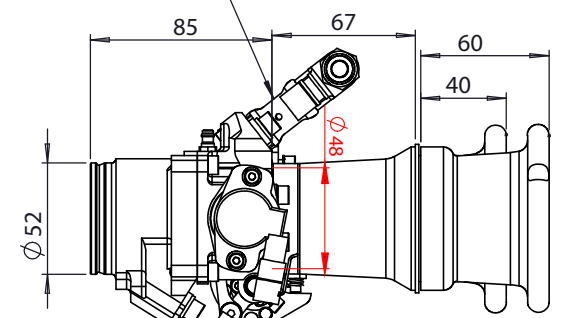
MEGAFLOW AIR FILTER SOLD SEPERATLY
JC50/S65
PART No. 102-108-00039

RIGHT SIDE

LEFT SIDE



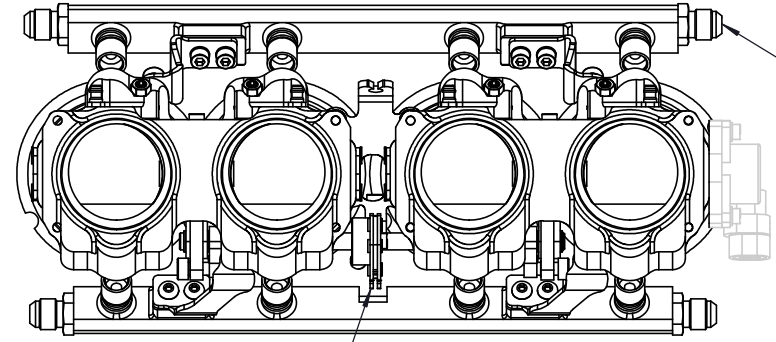
BRACKET FITTED IS SUITABLE FOR OEM FUEL INJECTORS



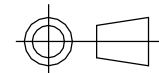
BRACKETS FITTED TO SUITE OEM FUEL INJECTORS

AN-6 MALE FITTINGS AT BOTH ENDS

CENTRE PULL CABLE LINKAGE



S-CAN 3D Ltd
Bunns Bank Ind Est
Attleborough NR17 1QD



THIRD ANGLE PROJECTION

WEIGHT
3.214 kg

DRAWN- S.HOW

DATE- 23/03/26

CHECKED - S.HOW

APPROVED - S.HOW

UNLESS OTHERWISE STATED:
DIMENSIONS IN MILLIMETRES
TOLERANCES: LINEAR ±0.1 ANGULAR ±0.5°
SURFACE FINISH √ = √
DRAWING STANDARDS TO ATQS 6003
DATE FORMAT: DD/MM/YY

THIS DESIGN IS THE PROPERTY OF
S-CAN 3D LTD AND MUST NOT BE
REPRODUCED OR COMMUNICATED
WITHOUT AUTHORITY

CAD PLOT
DO NOT
SCALE

MATERIAL

SEE COMPONENT PARTS

FINISH

SEE COMPONENT PARTS

DRAWING TITLE

ASSY - SUZUKI HAYABUSA GEN-2
- 48MM 8 OEM INJ - PRE-
CONFIGURED - BIKE

DRAWING NUMBER

102-102-00677