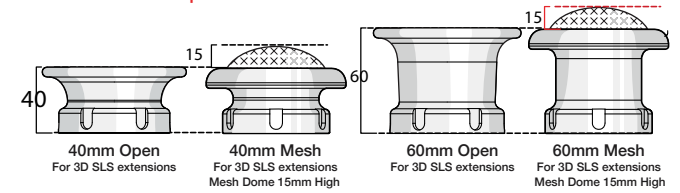


Ensure sizes fit in engine

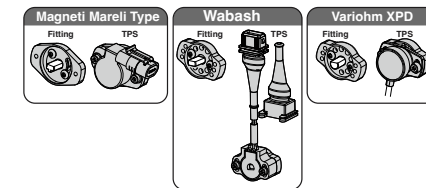
Available Trumpets: Contact us for Direct to Throttle



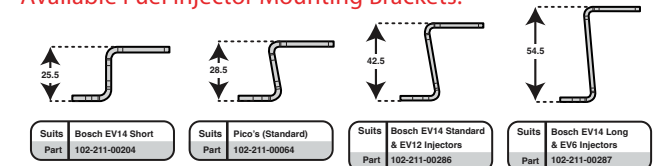
Available Extension Lengths: Contact us for curved



Available TPS Sides and TPS Options



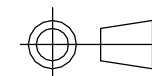
Available Fuel Injector Mounting Brackets:



Available Fuel Rail End Fittings:



S-CAN 3D Ltd
Bunns Bank Ind Est
Attleborough NR17 1QD



THIRD ANGLE PROJECTION

SCALE 1:2 WEIGHT 1.4 kg

DRAWN- S.HOW

DATE- 14/09/21

CHECKED - S.HOW

APPROVED - A.CLIFTON

UNLESS OTHERWISE STATED:
DIMENSIONS IN MILLIMETRES
TOLERANCES: LINEAR ±0.1 ANGULAR ±0.5°
SURFACE FINISH √ = ✓
DRAWING STANDARDS TO ATQS 6003
DATE FORMAT: DD/MM/YY

THIS DESIGN IS THE PROPERTY OF
S-CAN 3D LTD AND MUST NOT BE
REPRODUCED OR COMMUNICATED
WITHOUT AUTHORITY

CAD PLOT
DO NOT
SCALE

MATERIAL

SEE COMPONENT PARTS

FINISH

SEE COMPONENT PARTS

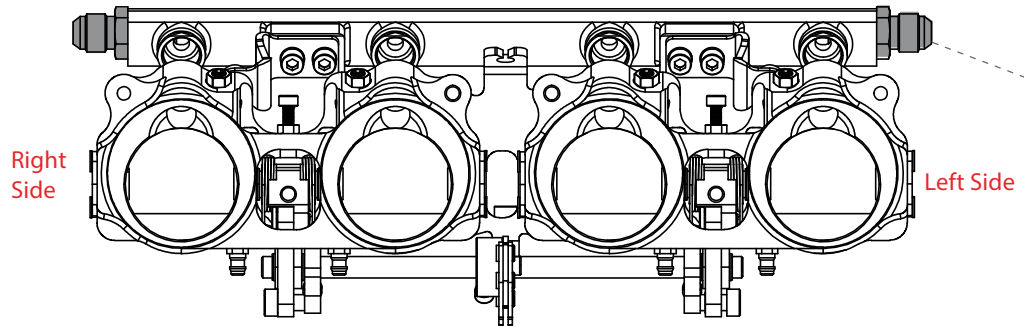
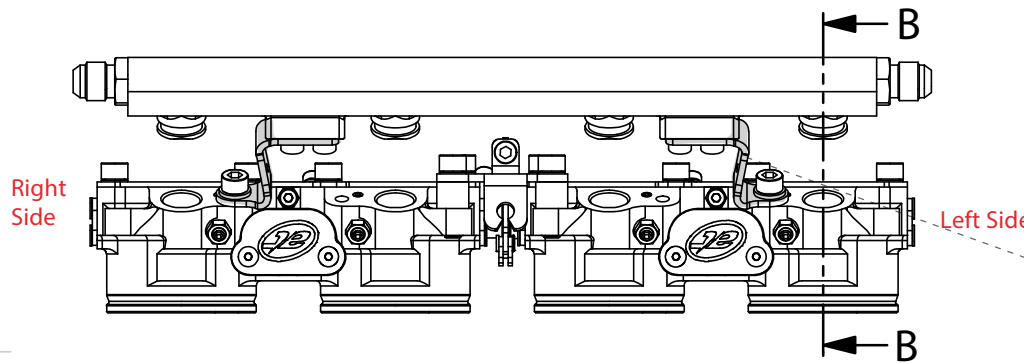
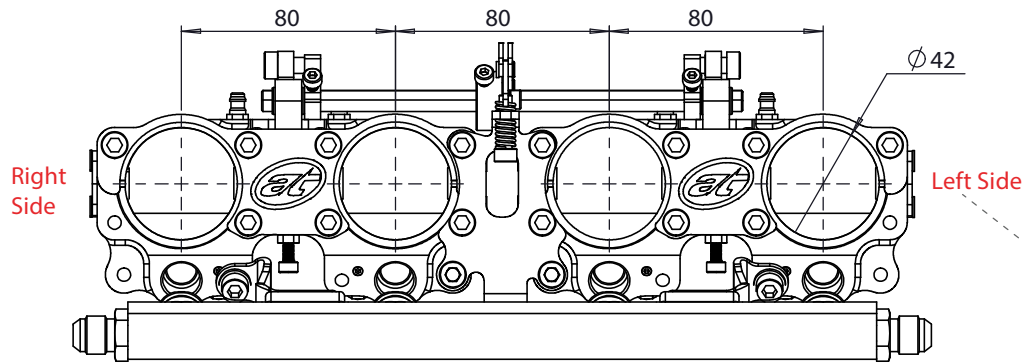
DRAWING TITLE

ASSY - HOUSING - TWIN -
HAYABUSA - GEN 1 - 45MM
-STD INJECTORS

DRAWING NUMBER

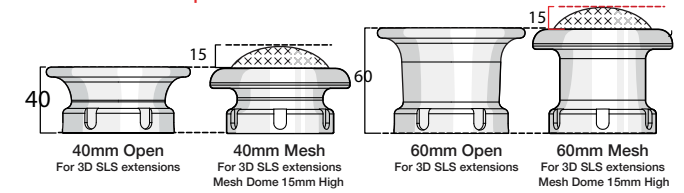
102-104-00102

SHEET 2 OF 2 A3



Ensure sizes fit in engine

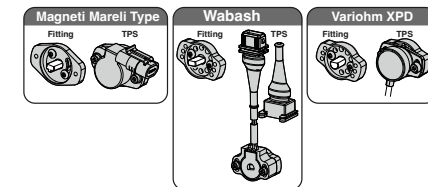
Available Trumpets: Contact us for Direct to Throttle



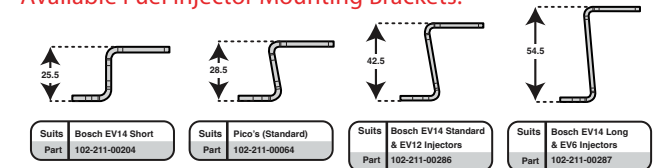
Available Extension Lengths: Contact us for curved



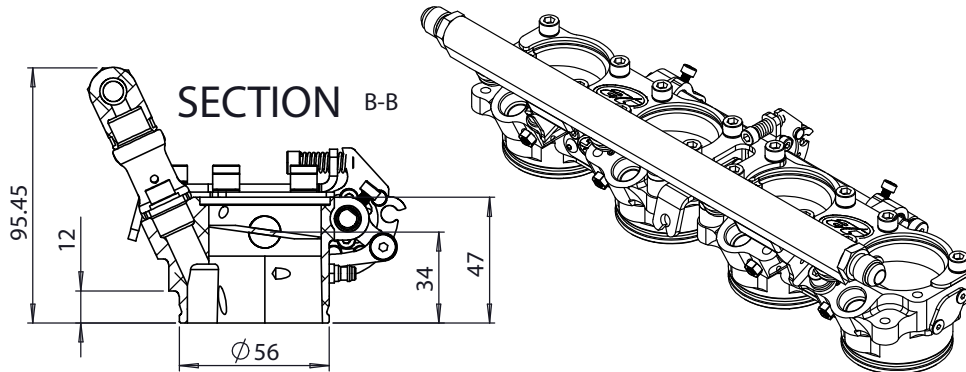
Available TPS Sides and TPS Options



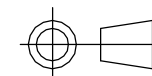
Available Fuel Injector Mounting Brackets:



Available Fuel Rail End Fittings:



S-CAN 3D Ltd
Bunns Bank Ind Est
Attleborough NR17 1QD



THIRD ANGLE PROJECTION

SCALE 1:2 WEIGHT 1.4 kg

DRAWN - S.HOW

DATE - 14/09/21

CHECKED - S.HOW

APPROVED - A.CLIFTON

UNLESS OTHERWISE STATED:
DIMENSIONS IN MILLIMETRES
TOLERANCES: LINEAR ± 0.1 ANGULAR $\pm 0.5^\circ$
SURFACE FINISH $\sqrt{\text{ }}$ = $\sqrt{\text{ }}$
DRAWING STANDARDS TO ATQS 6003
DATE FORMAT: DD/MM/YY

THIS DESIGN IS THE PROPERTY OF
S-CAN 3D LTD AND MUST NOT BE
REPRODUCED OR COMMUNICATED
WITHOUT AUTHORITY

CAD PLOT
DO NOT
SCALE

MATERIAL

SEE COMPONENT PARTS

FINISH

SEE COMPONENT PARTS

DRAWING TITLE

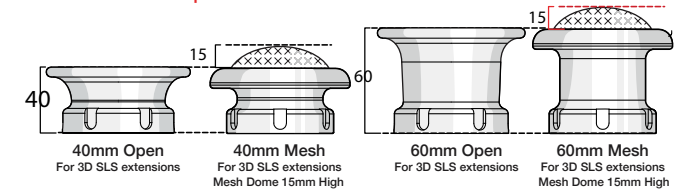
ASSY - HOUSING - TWIN -
HAYABUSA - GEN 1 - 42MM
- STD INJECTOR

DRAWING NUMBER

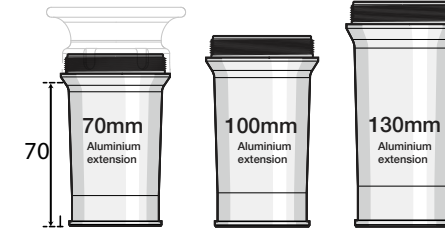
102-104-00101

Ensure sizes fit in engine

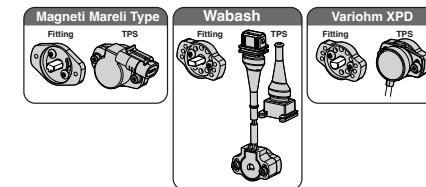
Available Trumpets: Contact us for Direct to Throttle



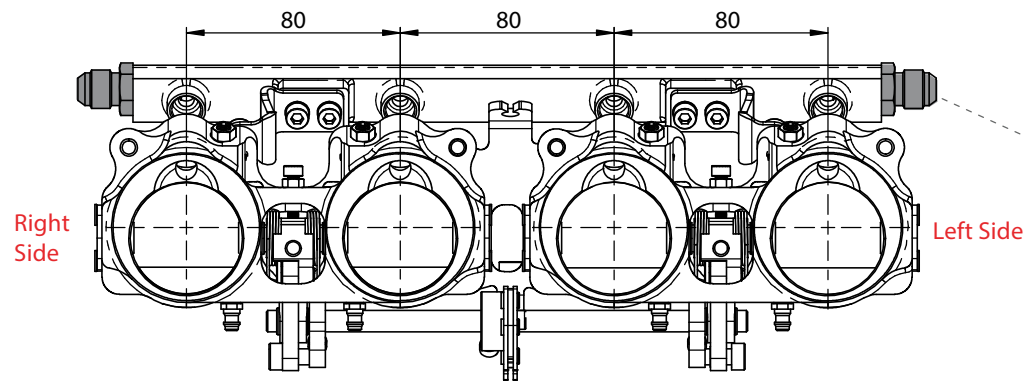
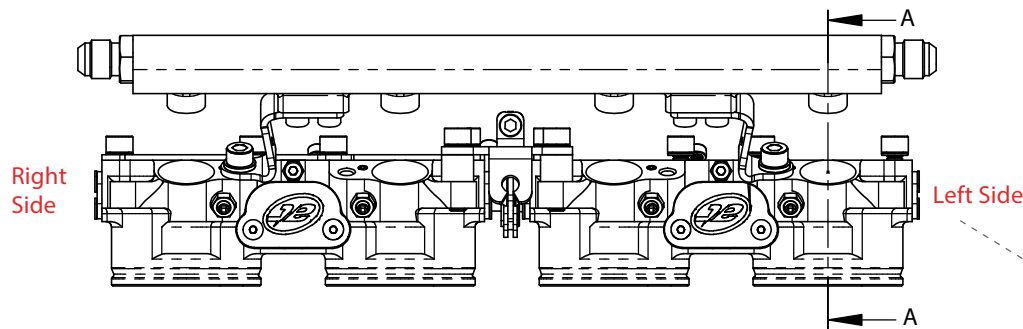
Available Extension Lengths: Contact us for curved



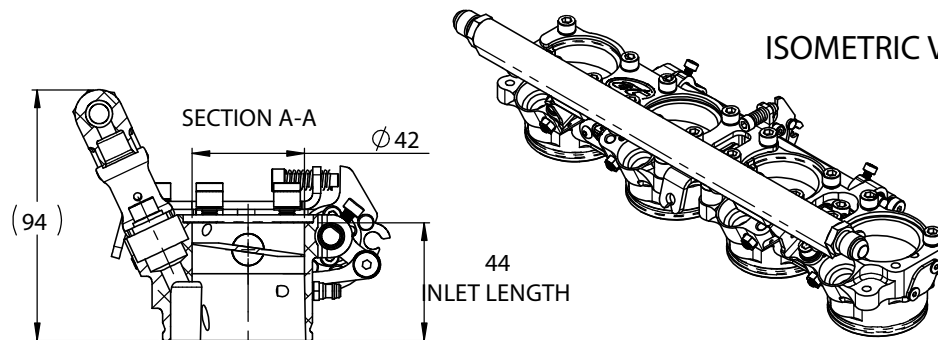
Available TPS Sides and TPS Options


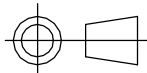


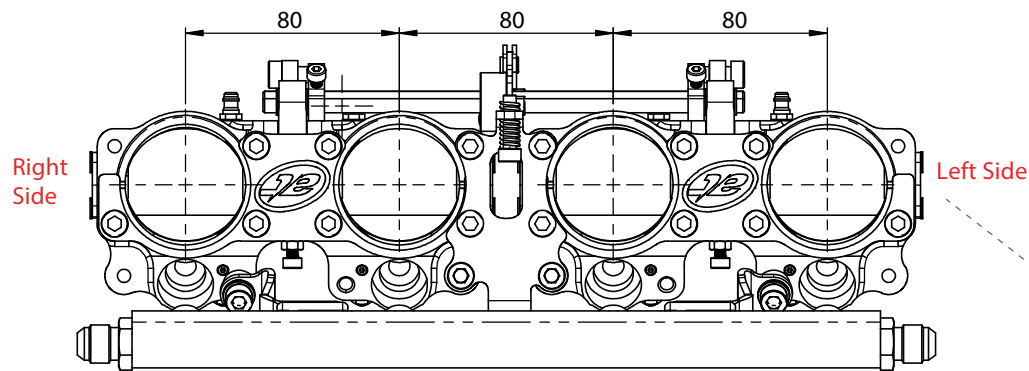
Available Fuel Rail End Fittings:



ISOMETRIC VIEW

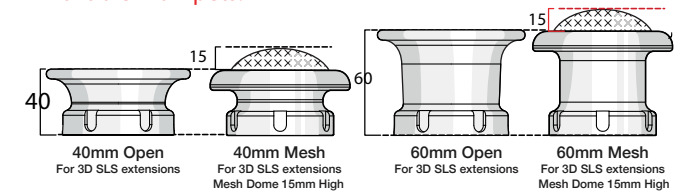


 S-CAN 3D Ltd Bunn's Bank Ind Est Attleborough NR17 1QD	 THIRD ANGLE PROJECTION		MATERIAL
	SCALE 1:2	WEIGHT 1.4 kg	SEE COMPONENT PARTS
UNLESS OTHERWISE STATED: DIMENSIONS IN MILLIMETRES TOLERANCES: LINEAR ±0.1 ANGULAR ±0.5° SURFACE FINISH ✓ = ✓ DRAWING STANDARDS TO ATQS 6003 DATE FORMAT: DD/MM/YY	DRAWN -	S.HOW	FINISH
	DATE -	12/08/21	SEE COMPONENT PARTS
	CHECKED -	S.HOW	DRAWING TITLE
THIS DESIGN IS THE PROPERTY OF S-CAN 3D LTD AND MUST NOT BE REPRODUCED OR COMMUNICATED WITHOUT AUTHORITY	CAD PLOT DO NOT SCALE	APPROVED -	A.CLIFTON
		DRAWING NUMBER 102-104-00024	

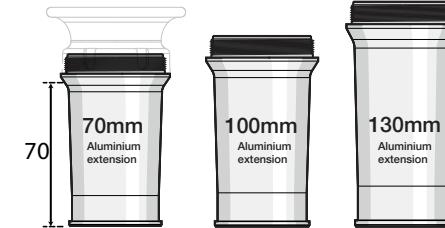


Ensure sizes fit in engine

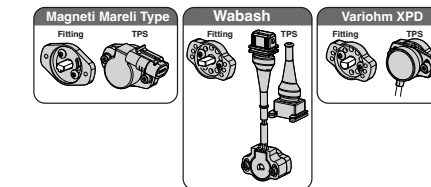
Available Trumpets: Contact us for Direct to Throttle



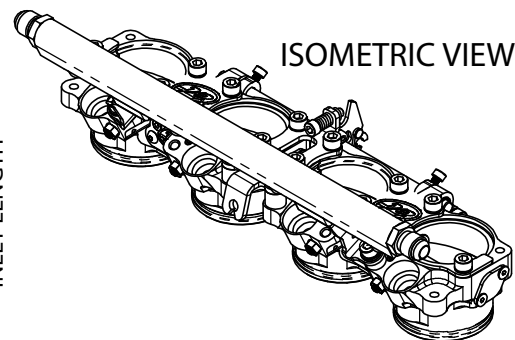
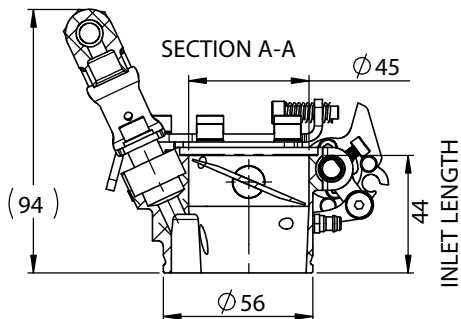
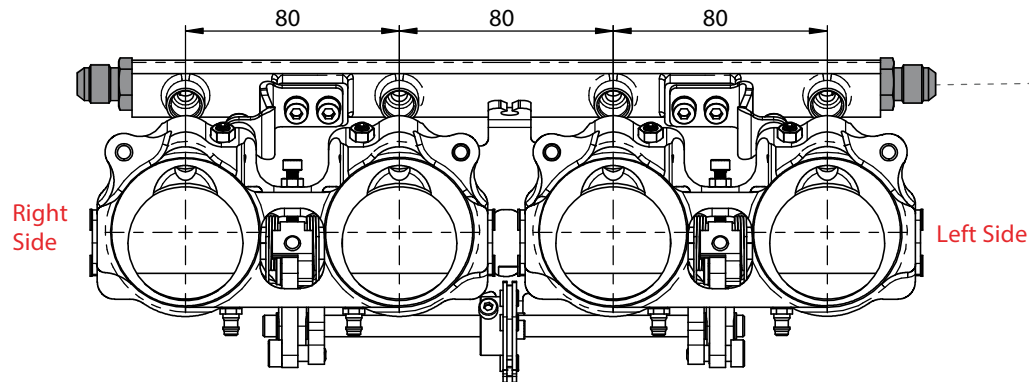
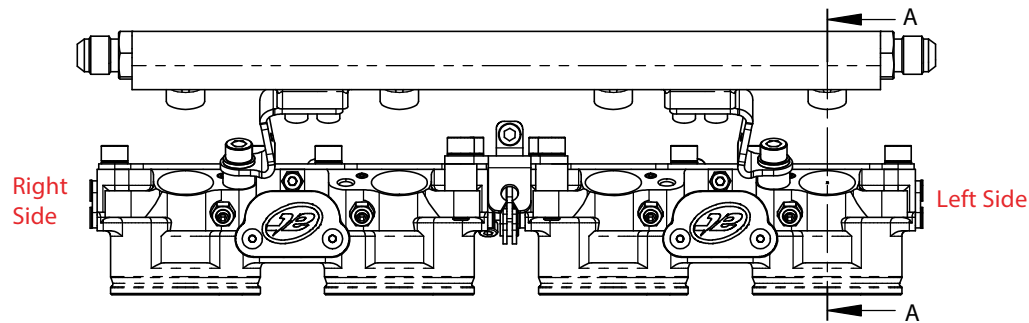
Available Extension Lengths: Contact us for curved



Available TPS Sides and TPS Options



Available Fuel Rail End Fittings:



<p>S-CAN 3D Ltd Bunns Bank Ind Est Attleborough NR17 1QD</p>	<p>THIRD ANGLE PROJECTION</p>	MATERIAL	SEE COMPONENT PARTS		
		SCALE	WEIGHT	FINISH	SEE COMPONENT PARTS
<p>UNLESS OTHERWISE STATED: DIMENSIONS IN MILLIMETRES TOLERANCES: LINEAR ± 0.1 ANGULAR $\pm 0.5^\circ$ SURFACE FINISH $\sqrt{=}$ $\sqrt{=}$ DRAWING STANDARDS TO ATQS 6003 DATE FORMAT: DD/MM/YY</p> <p>THIS DESIGN IS THE PROPERTY OF S-CAN 3D LTD AND MUST NOT BE REPRODUCED OR COMMUNICATED WITHOUT AUTHORITY</p>	SCALE	1:2	WEIGHT	1.3 kg	
	DRAWN-	S.HOW		DRAWING TITLE	ASSY - HOUSING - TWIN - HAYABUSA - GEN 1 - 45MM - OEM INJECTOR
	DATE-	13/08/21		DRAWING NUMBER	102-104-00025
	CHECKED -	S.HOW			
	APPROVED -	A.CLIFTON		SHEET 2 OF 2 A3	