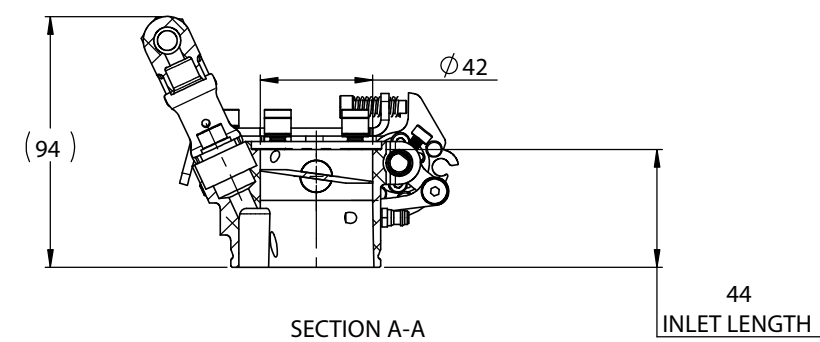
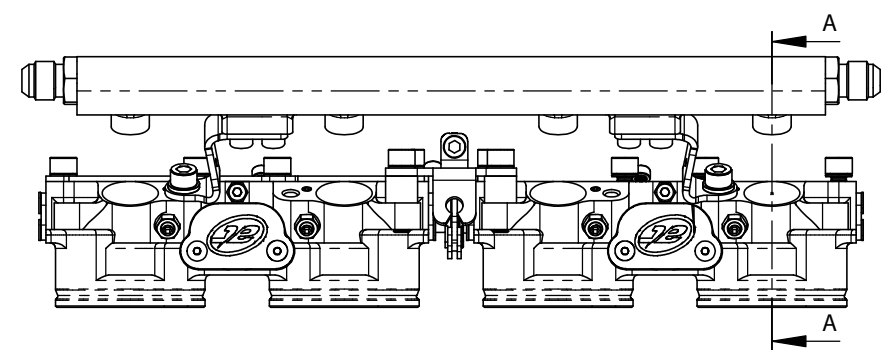
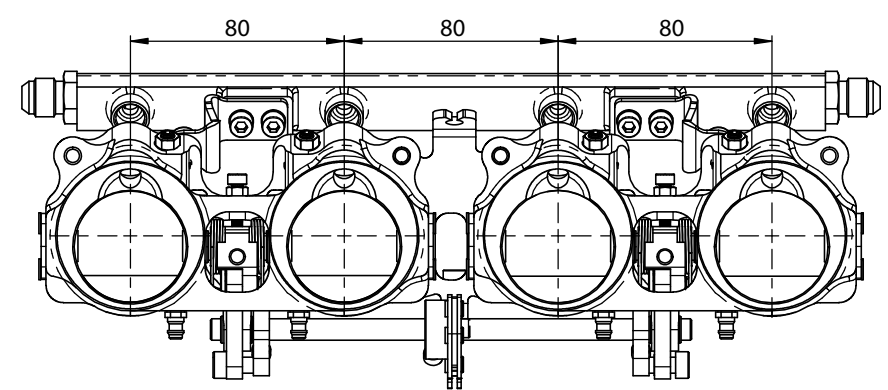



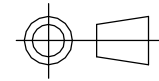
ISOMETRIC VIEW



SECTION A-A

44  
INLET LENGTH



 S-CAN 3D Ltd Bunn's Bank Ind Est Attleborough NR17 1QD	 THIRD ANGLE PROJECTION		MATERIAL
	SCALE 1:2	WEIGHT 1.4 kg	SEE COMPONENT PARTS
UNLESS OTHERWISE STATED: DIMENSIONS IN MILLIMETRES TOLERANCES: LINEAR ±0.1 ANGULAR ±0.5° SURFACE FINISH $\sqrt{\text{ }} = \sqrt{\text{ }}$ DRAWING STANDARDS TO ATQS 6003 DATE FORMAT: DD/MM/YY  THIS DESIGN IS THE PROPERTY OF S-CAN 3D LTD AND MUST NOT BE REPRODUCED OR COMMUNICATED WITHOUT AUTHORITY	DRAWN- S.HOW	FINISH	
	DATE- 12/08/21	SEE COMPONENT PARTS	
	CHECKED - S.HOW	DRAWING TITLE	
APPROVED - A.CLIFTON	CAD PLOT DO NOT SCALE	<b>ASSY - HOUSING - TWIN -          HAYABUSA - GEN 1 - 42MM          - OEM INJECTOR</b>	
		DRAWING NUMBER	
		<b>102-104-00024</b>	