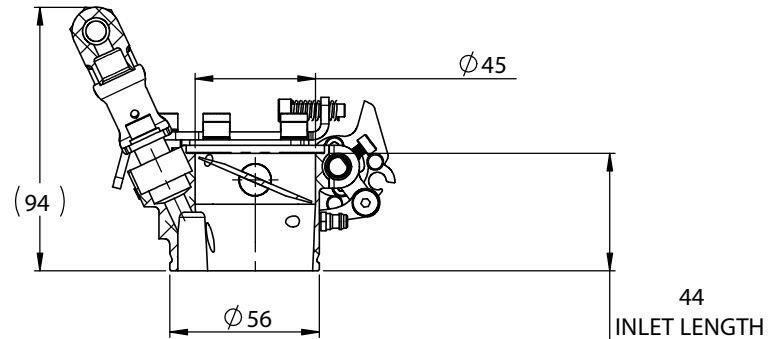
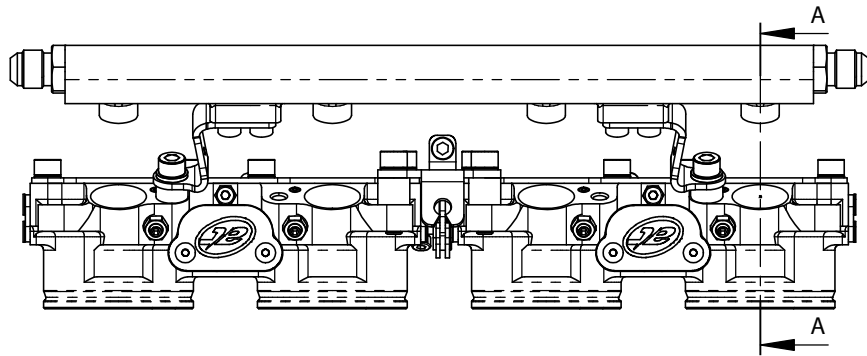
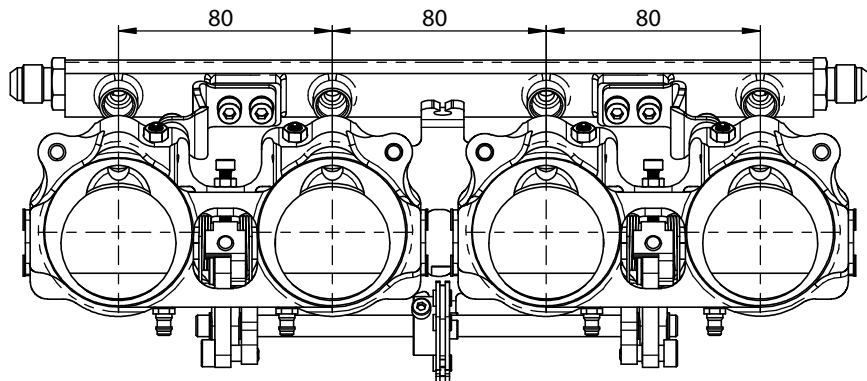



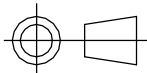
ISOMETRIC VIEW



SECTION A-A

44  
INLET LENGTH



 S-CAN 3D Ltd Bunn's Bank Ind Est Attleborough NR17 1QD	 THIRD ANGLE PROJECTION		MATERIAL	SEE COMPONENT PARTS	
	SCALE 1:2	WEIGHT 1.3 kg	FINISH	SEE COMPONENT PARTS	
UNLESS OTHERWISE STATED: DIMENSIONS IN MILLIMETRES TOLERANCES: LINEAR ±0.1 ANGULAR ±0.5° SURFACE FINISH ✓ = ✓ DRAWING STANDARDS TO ATQS 6003 DATE FORMAT: DD/MM/YY THIS DESIGN IS THE PROPERTY OF S-CAN 3D LTD AND MUST NOT BE REPRODUCED OR COMMUNICATED WITHOUT AUTHORITY	DRAWN-	S.HOW	DRAWING TITLE		
	DATE-	13/08/21	<b>ASSY - HOUSING - TWIN -          HAYABUSA - GEN 1 - 45MM          - OEM INJECTOR</b>		
	CHECKED -	S.HOW	DRAWING NUMBER		
APPROVED -	A.CLIFTON	<b>102-104-00025</b>			
CAD PLOT DO NOT SCALE		SHEET 2 OF 2 A3			