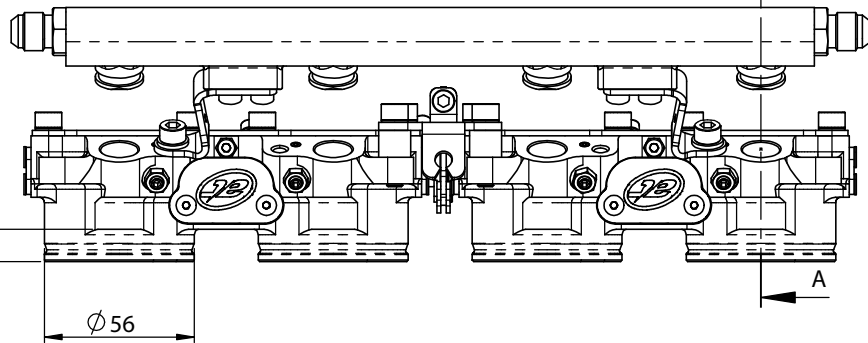
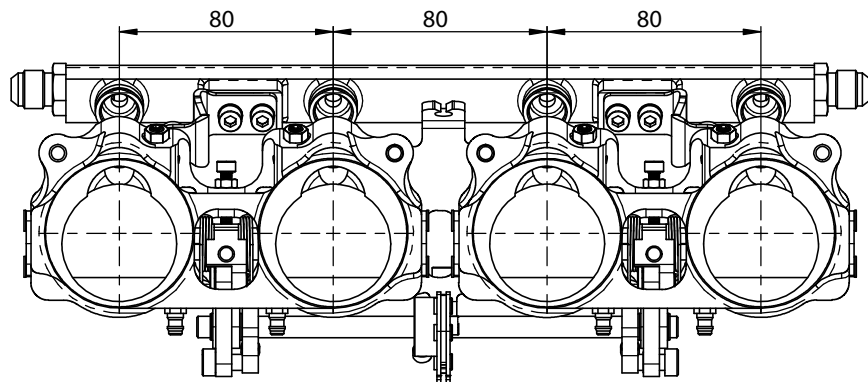


Ø45 THROTTLE

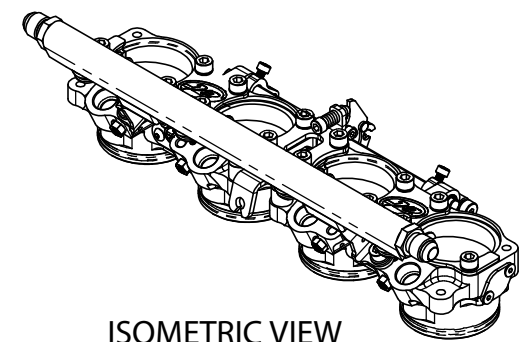
80 80 80 A



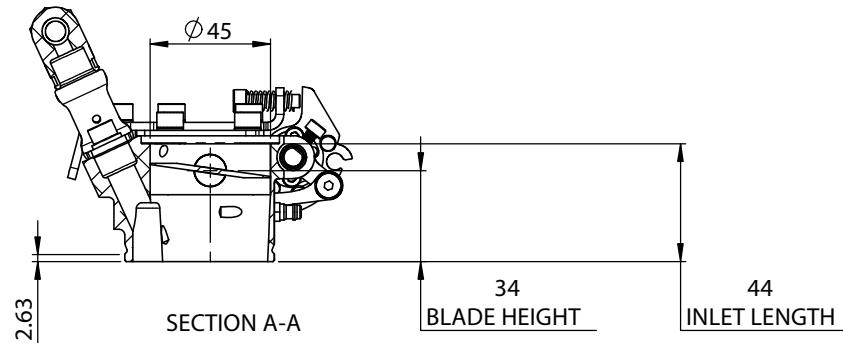
12 Ø56 A



80 80 80



ISOMETRIC VIEW



2.63 Ø45 34 44 SECTION A-A BLADE HEIGHT INLET LENGTH

S-CAN 3D Ltd  
Bunns Bank Ind Est  
Attleborough NR17 1QD

THIRD ANGLE PROJECTION

SCALE 1:2	WEIGHT 1.4 kg
DRAWN - S.HOW	
DATE - 14/09/21	
CHECKED - S.HOW	
APPROVED - A.CLIFTON	

MATERIAL	SEE COMPONENT PARTS
FINISH	SEE COMPONENT PARTS
DRAWING TITLE	<b>ASSY - HOUSING - TWIN - HAYABUSA - GEN 1 - 45MM - STD INJECTORS</b>
DRAWING NUMBER	<b>102-104-00102</b>

UNLESS OTHERWISE STATED:  
DIMENSIONS IN MILLIMETRES  
TOLERANCES: LINEAR ±0.1 ANGULAR ±0.5°  
SURFACE FINISH ✓ = ✓  
DRAWING STANDARDS TO ATQS 6003  
DATE FORMAT: DD/MM/YY

THIS DESIGN IS THE PROPERTY OF S-CAN 3D LTD AND MUST NOT BE REPRODUCED OR COMMUNICATED WITHOUT AUTHORITY

CAD PLOT DO NOT SCALE