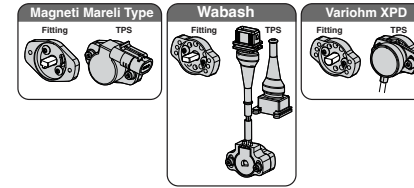
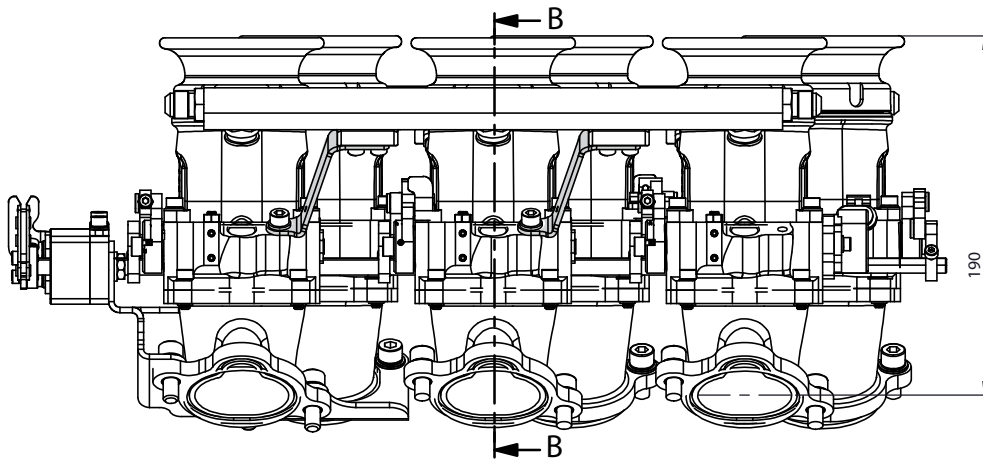
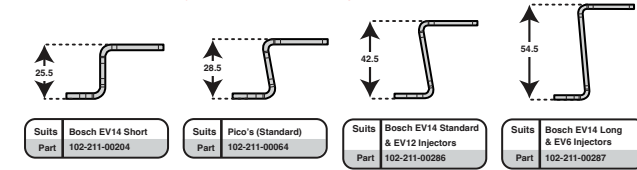


Ensure sizes fit in engine

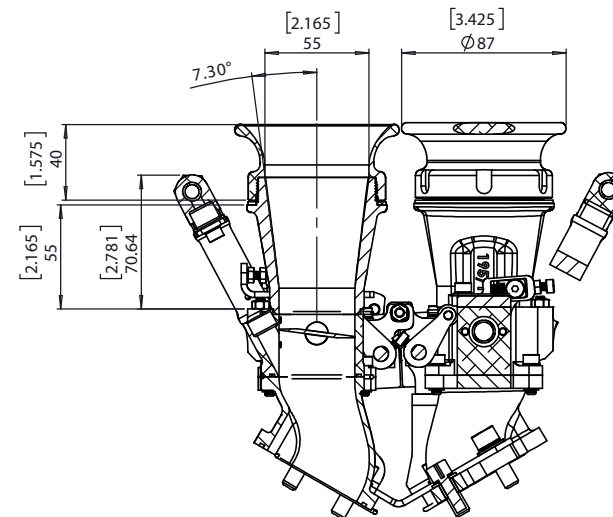
Available TPS Options



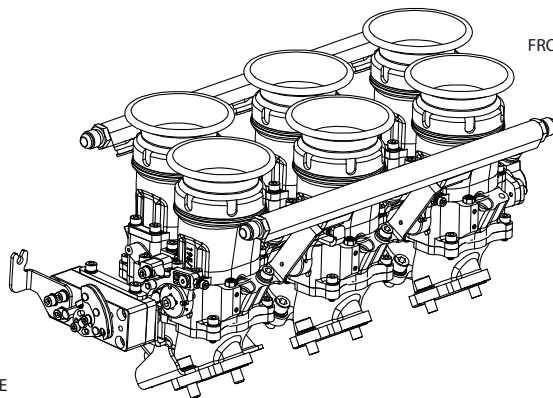
Available Fuel Injector Mounting Brackets:



FRONT OF ENGINE



SECTION B-B



BACK OF ENGINE



S-CAN 3D Ltd
Bunns Bank Ind Est
Atteborough NR17 1QD

UNLESS OTHERWISE STATED:
DIMENSIONS IN MILLIMETRES
TOLERANCES: LINEAR ± 0.1 ANGULAR $\pm 0.5^\circ$
SURFACE FINISH $\sqrt{\text{---}}$
DRAWING STANDARDS TO ATOS 6003
DATE FORMAT: DD/MM/YYYY
THIS DESIGN IS THE PROPERTY OF
S-CAN 3D LTD AND MUST NOT BE
REPRODUCED OR COMMUNICATED
WITHOUT AUTHORITY



THIRD ANGLE PROJECTION

SCALE 1:2 WEIGHT 296.0 kg

DRAWN - S.HOW

DATE - 29/08/19

CHECKED - --

APPROVED - S.HOW

CAD PLOT
DO NOT
SCALE

MATERIAL

SEE COMPONENT PARTS

FINISH

SEE COMPONENT PARTS

DRAWING TITLE

ASSEMBLY - ALFA ROMEO V6
UNIVERSAL THROTTLERS

DRAWING NUMBER

102-102-00189