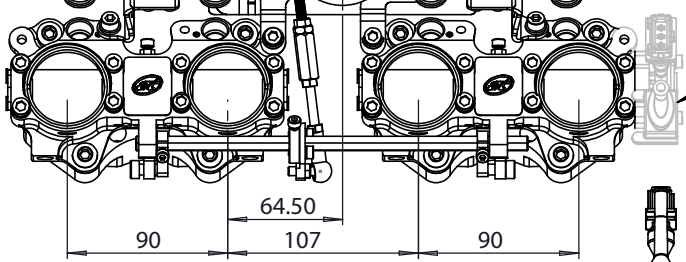
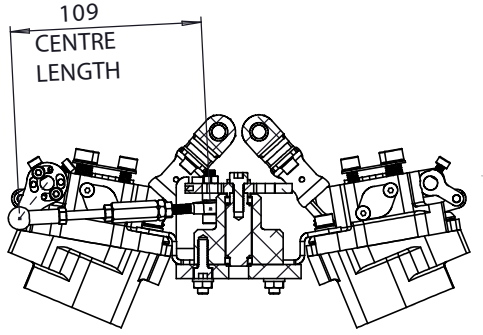
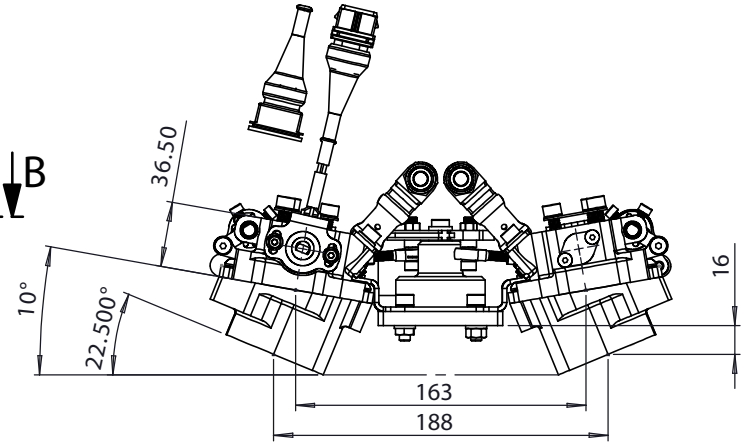
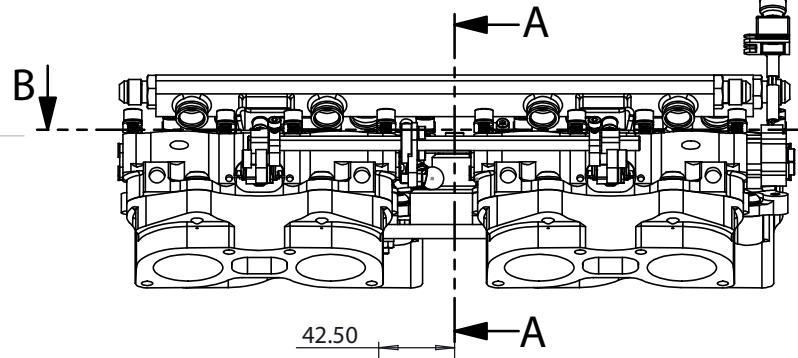
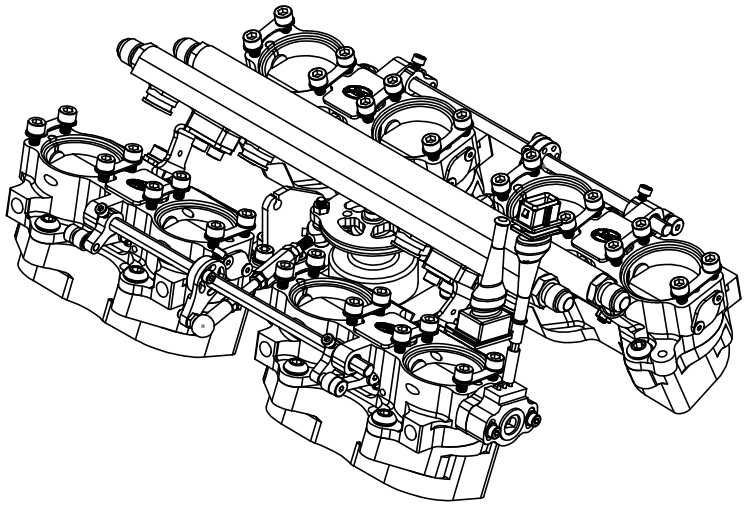


SELECT TPS SIDE
LEFT HAND SIDE

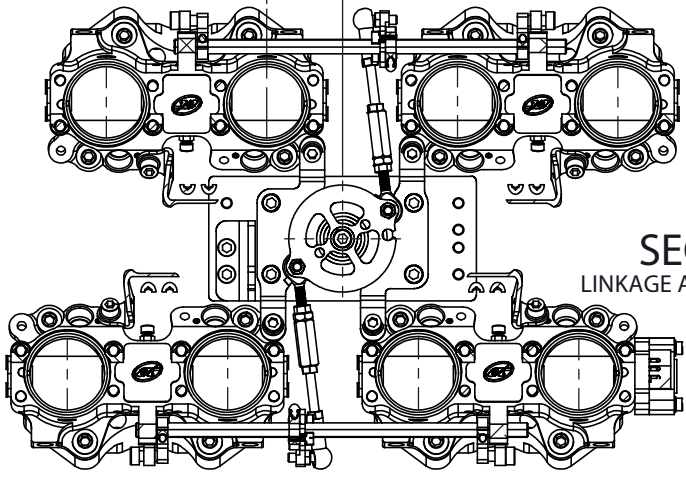
OR



RIGHT HAND SIDE
WABASH TPS PICTURED



SECTION A-A

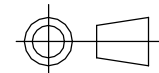


SECTION B-B
LINKAGE ARRANGEMENT

SEE PAGE 2



S-CAN 3D Ltd
Bunns Bank Ind Est
Attleborough NR17 1QD



THIRD ANGLE PROJECTION

SCALE 1:3 WEIGHT 5.081 kg

DRAWN- S.HOW

DATE- 19/03/24

CHECKED- S.HOW

APPROVED- S.HOW

UNLESS OTHERWISE STATED:
DIMENSIONS IN MILLIMETRES
TOLERANCES: LINEAR ± 0.1 ANGULAR $\pm 0.5^\circ$
SURFACE FINISH $\sqrt{\text{ }}$ = $\sqrt{\text{ }}$
DRAWING STANDARDS TO ATQS 6003
DATE FORMAT: DD/MM/YY

THIS DESIGN IS THE PROPERTY OF
S-CAN 3D LTD AND MUST NOT BE
REPRODUCED OR COMMUNICATED
WITHOUT AUTHORITY

CAD PLOT
DO NOT
SCALE

MATERIAL

SEE COMPONENT PARTS

FINISH

SEE COMPONENT PARTS

DRAWING TITLE

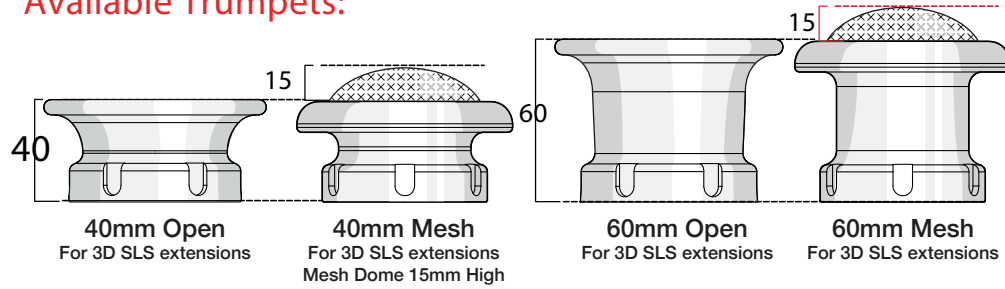
ASSY - ALFA MONTREAL V8 -
42MM DCOE THROTTLES

DRAWING NUMBER

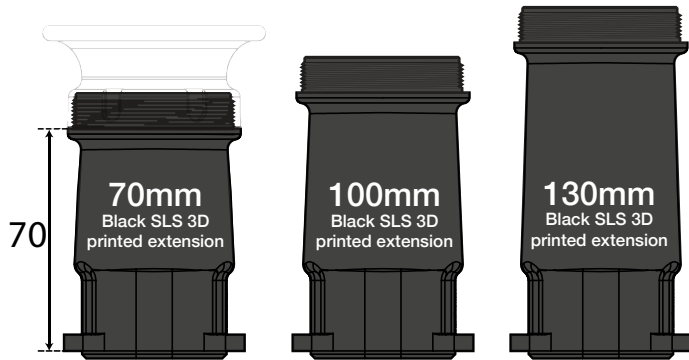
102-102-00502

Ensure sizes fit in engine

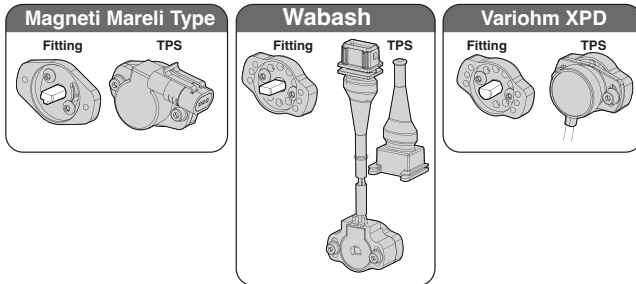
Available Trumpets:



Available Extension Lengths: Contact us for curved



Available TPS Sides and TPS Options



Available Fuel Injector Mounting Brackets:

