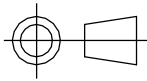
 <b>S-CAN 3D Ltd</b> Bunn's Bank Ind Est Attleborough NR17 1QD	 THIRD ANGLE PROJECTION		MATERIAL	SEE COMPONENT PARTS
	SCALE 1:2	WEIGHT 0.6 kg	FINISH	SEE COMPONENT PARTS
UNLESS OTHERWISE STATED: DIMENSIONS IN MILLIMETRES TOLERANCES: LINEAR $\pm 0.1$ ANGULAR $\pm 0.5^\circ$ SURFACE FINISH $\sqrt{\quad} = \sqrt{\quad}$ DRAWING STANDARDS TO ATQS 6003 DATE FORMAT: DD/MM/YY	DRAWN- S.HOW	DRAWING TITLE		
	DATE - 20/04/26	<b>ASSY - DCOE - 2-CYL -          CENTER PULL - 42MM -          NON-INJECTED - ALI EXT</b>		
THIS DESIGN IS THE PROPERTY OF S-CAN 3D LTD AND MUST NOT BE REPRODUCED OR COMMUNICATED WITHOUT AUTHORITY	CAD PLOT DO NOT SCALE	CHECKED - S.HOW	DRAWING NUMBER	
		APPROVED - S.HOW	<b>102-121-00086</b>	
			SHEET 2 OF 2 A3	